



ATTENTION: PLEASE READ

Date: January 17, 2024

Bulletin #: Bul-Prod-0124-031

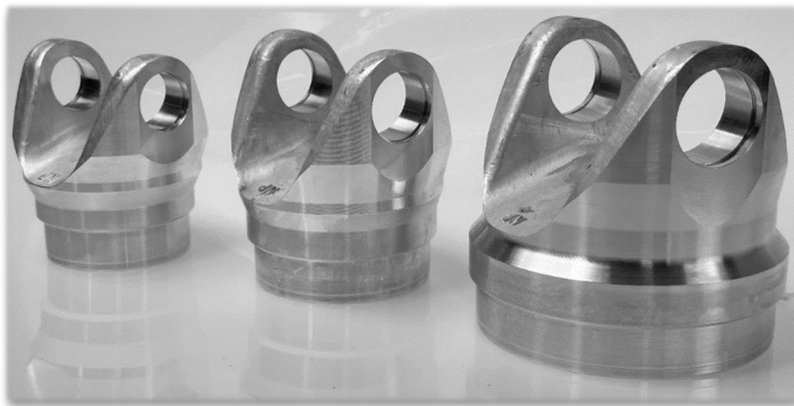
Subject: **New Neapco Performance Series Aluminum Tube Yokes**

To: **All Neapco Drivelines Aftermarket Group Customers**

Neapco is pleased to announce our new Neapco Performance Series (NPS) Aluminum Tube Yokes. These 13 parts are forged aluminum and span 1310, 1330, 1350, 1410, 1480 and 1550 Series Drivelines.

Neapco Performance Series (NPS) Aluminum Tube Yokes are designed, engineered, and manufactured with the highest-quality materials, to provide increased strength and performance that meet the demands for high HP/Torque applications.

- Made from Forged 6061-T6 Aluminum Alloy
 - Improved strength and fatigue life when compared to OE Aluminum and cast steel tube yokes.
 - Significant weight savings over OE steel tube yokes.
- Increased pilot wall thickness and longer press length for a straighter more consistent weld.
- Precision machined to significantly reduce runout and improve balance.
- Designed for use with .125" wall Aluminum tube.
- Made in Beatrice, Nebraska, U.S.A.



Additional Part Number Product Details Below

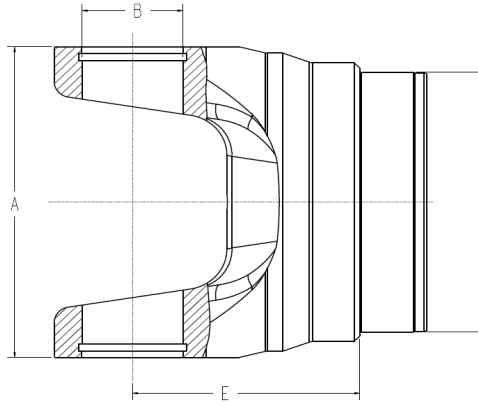


Neapco - New England Auto Products Corporation U.S.A. since 1921.
NeapcoAftermarket.com

E-catalog and customer order portal: NeapcoParts.com



ATTENTION: PLEASE READ



DRIVELINE SERIES	TUBING DIA AND WALL	(D) BUTT DIA	(E) CL TO POINT OF WELD	MATERIAL	NEAPCO PERFORMANCE SERIES PART#
1310 SERIES A-3.504 B-1.063					
1310	3.000 X .125	2.76	2.40	6061-T6	A31-28-3012P
1310	3.500 X .125	3.26	2.40	6061-T6	A31-28-3512P
1330 SERIES A-3.898 B-1.063					
1330	3.000 X .125	2.76	2.68	6061-T6	A33-28-3012P
1330	3.500 X .125	3.26	2.68	6061-T6	A33-28-3512P
1330	4.000 X .125	3.76	2.68	6061-T6	A33-28-4012P
1350 SERIES A-3.898 B-1.188					
1350	3.000 X .125	2.76	2.68	6061-T6	A35-28-3012P
1350	3.500 X .125	3.26	2.68	6061-T6	A35-28-3512P
1350	4.000 X .125	3.76	2.68	6061-T6	A35-28-4012P
1410 SERIES A-4.57 B-1.188					
1410	4.000 X .125	3.76	2.99	6061-T6	A41-28-4012P
1410	5.000 X .125	4.76	2.99	6061-T6	A41-28-5012P
1480 SERIES A-4.57 B-1.375					
1480	4.000 X .125	3.76	2.99	6061-T6	A48-28-4012P
1480	5.000 X .125	4.76	2.99	6061-T6	A48-28-5012P
1550 SERIES A-5.33 B-1.375					
1550	5.000 X .125	4.76	3.23	6061-T6	A55-28-5012P

To learn more about Neapco brand products please visit www.NeapcoAftermarket.com. Please contact your respective Neapco sales representative for any additional questions you might have regarding this outstanding new product offering.

Danielle Forton
Product Data Analyst/Tech Support Supervisor



Neapco - New England Auto Products Corporation U.S.A. since 1921.
NeapcoAftermarket.com E-catalog and customer order portal: NeapcoParts.com

Important Bulletin from Neapco Drivelines Aftermarket Group