



## ATTENTION: PLEASE READ

**Date:** March 10, 2022

**Bulletin #:** Bul-Prod-0322-015

**Subject:** **Neapco Performance Series Aluminum Yoke Shaft & Sleeve Kits**

**To:** **All Neapco Drivelines Aftermarket Group Customers**

Neapco is pleased to announce our new **Neapco Performance Series Aluminum Yoke Shaft & Sleeve Kits**. This portfolio of kits contains designs for both welding into industry standard 0.125" wall tubing or bonding into industry standard nominally-sized composite tubing and offers a broad selection of fitments from 1310 to 1550 series and tubing sizes from 3"-5". Based on the tube size and universal joint series strength, the kits utilize (4) different spline diameters to ensure maximum driveline capability.

Leveraging Neapco's own state-of-the-art advanced manufacturing capabilities in Nebraska, we can offer superior quality, application-specific products at competitive pricing. After extensive design, benchmarking, manufacturing process development, validation, and field testing, we are very proud to present this portfolio extension. The Neapco Performance Series Aluminum Yoke Shaft and Sleeve Kits followed the development of our new Neapco Performance Series universal joints portfolio because they were intended to be a perfect complement to these industry-leading u-joints for torque, fatigue, durability, and balance to ensure Beast Mode strength and endurance.

**The Neapco Difference:** Maximum Coverage – Aluminum and Composite – Made in USA – Advanced Engineering – Proprietary Development – Beast Mode Strength and Endurance – Superior Designs



Representative images above

### Proprietary Solution:

- Precision machined on dedicated CNC lathes and forming equipment
- Extensively developed advanced multi-step coating and adhesion process
- Enhanced fluidized coating procedure delivers optimal consistency in coating application
- Unique final sizing of coating to deliver exceptional fit, durability, operation, and longevity of service through ultra-precision tolerances on form, size, and optimized coating thickness and consistency
- Two-stage broaching process utilized on sleeves to ensure superior fitment
- High saturation PTFE-based full synthetic PAO lubricant provides ultra-smooth slip-under-load function while significantly boosting life of the polymer coating, protecting the aluminum from wear, and extending the overall life of the driveline under severe service
- Uniquely optimized yoke shaft designs ensure the shaft splines remain unaffected by extreme torque, enabling exceptionally smooth slip performance under load while removing binding failures typical of competitors' designs


(continued)



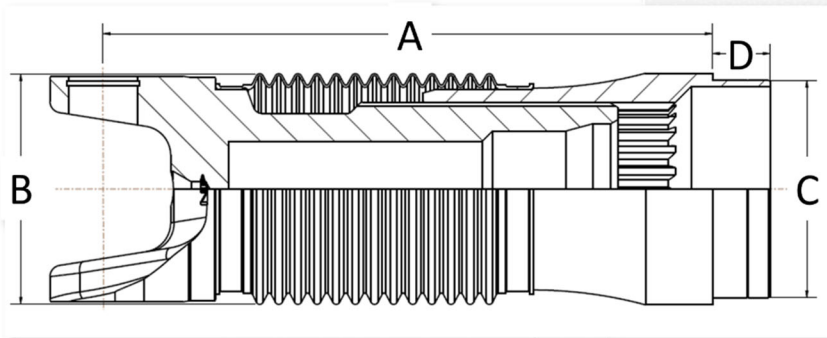
**ATTENTION: PLEASE READ**

[NeapcoParts.com](http://NeapcoParts.com) includes all the most current information about our products, including the new products listed above.

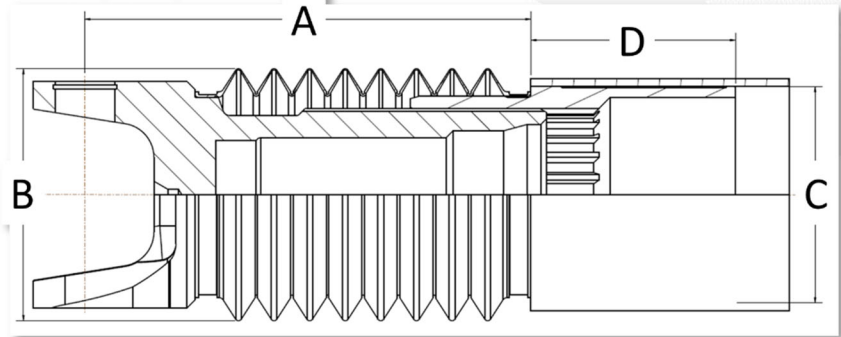
As always, we thank you for your continued support of genuine Neapco products. Please contact your respective Neapco Sales Representative for pricing and any additional questions you might have.



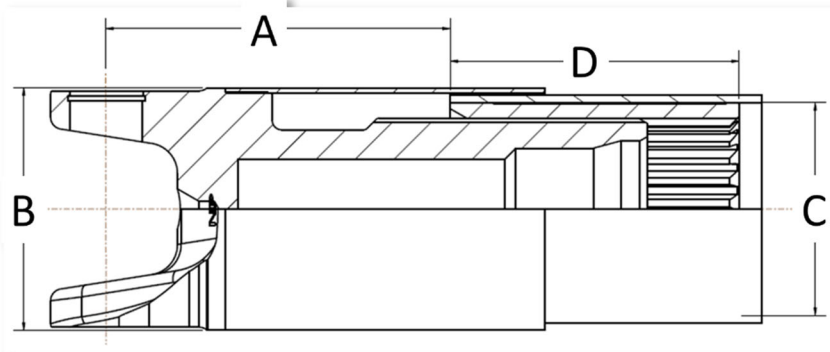
Chris Creager  
Product Manager – Neapco Drivelines Aftermarket Group



ALUMINUM TUBE FITMENT (WELD)



COMPOSITE TUBE FITMENT (BOND)



COMPOSITE TUBE FITMENT (BOND)  
"HP" ALUMINUM SHIELDED VERSION



# ATTENTION: PLEASE READ

## ALUMINUM WELD KITS

PART NAME	SERIES	TUBE OD (IN) (0.125" WALL)	KIT PN	PLANNED AVAILABILITY
YOKE SHAFT KIT, ALUM WELD, 1310, 2.5" - 19t, 3.0" x 0.125" TUBE	1310	3.0	N2-85-3130-AP	NOW
YOKE SHAFT KIT, ALUM WELD, 1310, 3.0" - 23t, 3.5" x 0.125" TUBE		3.5	N2-85-3135-AP	3/1/2022
YOKE SHAFT KIT, ALUM WELD, 1350, 2.5" - 19t, 3.0" x 0.125" TUBE	1350	3.0	N3-85-3530-AP	NOW
YOKE SHAFT KIT, ALUM WELD, 1350, 3.0" - 23t, 3.5" x 0.125" TUBE		3.5	N3-85-3535-AP	3/1/2022
INCREASING BUSHING FOR 3.5" TO 4.0" TUBE FITMENT, YOKE SHAFT KIT, ALUM WELD		4.0	5326	3/1/2022
YOKE SHAFT KIT, ALUM WELD, 1350, 3.0" - 23t, 4.0" x 0.125" TUBE			N3-85-3540-AP	4/1/2022
YOKE SHAFT KIT, ALUM WELD, 1410, 3.5" - 27t, 4.0" x 0.125" TUBE	1410	4.0	N3-85-4140-AP	3/1/2022
YOKE SHAFT KIT, ALUM WELD, 1480, 3.5" - 27t, 4.0" x 0.125" TUBE	1480	4.0	N3-85-4840-AP	3/1/2022
YOKE SHAFT KIT, ALUM WELD, 1480, 4.0" - 31t, 5.0" x 0.125" TUBE		5.0	N3-85-4850-AP	4/1/2022
YOKE SHAFT KIT, ALUM WELD, 1550, 4.0" - 31t, 5.0" x 0.125" TUBE	1550	5.0	N4-85-5550-AP	4/1/2022

KIT PN	SPLINE OD & TOOTH COUNT	UJ CENTERLINE TO TUBE FACE				SPLINE ENGAGEMENT LENGTH							RECOMMENDED MAX TORQUE (LBS-FT)	PRODUCT WEIGHT (LBS)	
		MAX EXTENDED LENGTH (IN)	MIN COMPRESSED LENGTH (IN)	LENGTH @ RECOMMENDED INSTALLATION (IN)	BOOT DIAMETER (IN)	TUBE PRESS BUTT DIAMETER (IN)	TUBE PRESS DEPTH (IN)	BOOT OD (IN)	TOTAL RATED PLUNGE (IN)	@ MAX EXTENSION (IN)	@ MIN COMPRESSED (IN)	@ STATIC BOOT LENGTH (IN)			BOOT LENGTH @ REC'D INSTALL
N2-85-3130-AP	2.5" - 19t	11.46	7.46	10.46	4.0	2.758	1	4.0	4	2.52	4.00	3.52	1.80	2500	7.8
N2-85-3135-AP	3.0" - 23t	11.40	7.40	10.40	4.0	3.258	1.00	4.0	4	2.57	4.00	3.57	1.90	*4,000	9.1
N3-85-3530-AP	2.5" - 19t	11.62	7.62	10.62	4.0	2.758	1.00	4.0	4	2.28	4.00	3.28	1.80	2500	7.9
N3-85-3535-AP	3.0" - 23t	11.56	7.56	10.56	4.0	3.258	1.00	4.0	4	2.34	4.00	3.34	1.90	*4,000	9.2
N3-85-3540-AP	3.0" - 23t	11.56	7.56	10.56	4.0	3.758	1.00	4.0	4	2.34	4.00	3.34	1.90	*5,000	8.6
N3-85-4140-AP	3.5" - 27t	13.32	7.76	12.32	5.0	3.758	1.00	5.0	5.5	2.39	4.00	3.39	2.80	*5,000	10.9
N3-85-4840-AP	3.5" - 27t	13.32	7.76	12.32	5.0	3.758	1.00	5.0	5.5	2.39	4.00	3.39	2.80	*5,000	10.8
N3-85-4850-AP	4.0" - 31t	13.32	7.79	12.32	5.9	4.758	1.00	5.9	5.5	2.39	4.00	3.39	2.80	*8,500	14.4
N4-85-5550-AP	4.0" - 31t	13.71	8.18	12.71	5.9	4.758	1.00	5.9	5.5	2.00	4.00	3.00	2.80	*8,500	14.6

\*Tube strength limited

## COMPOSITE BOND KITS

PART NAME	SERIES	TUBE OD (IN) (0.125" WALL)	KIT PN	PLANNED AVAILABILITY
YOKE SHAFT KIT, ALUM BOND, 1310, 2.5" - 19t, 3.0" ID TUBE	1310	3.0	N2-85-3130-ACF	NOW
YOKE SHAFT KIT, ALUM BOND, 1350, 2.5" - 19t, 3.0" ID TUBE	1350	3.0	N3-85-3530-ACF	NOW
YOKE SHAFT KIT, ALUM BOND, 1350, 3.0" - 23t, 3.5" ID TUBE		3.5	N3-85-3535-ACF	5/1/2022
YOKE SHAFT KIT, ALUM BOND, 1350, 3.0" - 23t, 3.5" ID TUBE		3.5	N3-85-3535-ACF-HP	NOW
YOKE SHAFT KIT, ALUM BOND, 1350, 3.0" - 23t, 4.0" ID TUBE		4.0	N3-85-3540-ACF	5/1/2022
YOKE SHAFT KIT, ALUM BOND, 1410, 3.0" - 23t, 3.5" ID TUBE	1410	3.5	N3-85-4135-ACF	5/1/2022
YOKE SHAFT KIT, ALUM BOND, 1410, 3.5" - 27t, 4.0" ID TUBE		4.0	N3-85-4140-ACF	5/1/2022
YOKE SHAFT KIT, ALUM BOND, 1480, 3.5" - 27t, 4.0" ID TUBE	1480	4.0	N3-85-4840-ACF	5/1/2022
YOKE SHAFT KIT, ALUM BOND, 1480, 4.0" - 31t, 5.0" ID TUBE		5.0	N3-85-4850-ACF	5/1/2022
YOKE SHAFT KIT, ALUM BOND, 1550, 4.0" - 31t, 5.0" ID TUBE	1550	5.0	N4-85-5550-ACF	5/1/2022

KIT PN	SPLINE OD & TOOTH COUNT	UJ CENTERLINE TO TUBE FACE				SPLINE ENGAGEMENT LENGTH							RECOMMENDED MAX TORQUE (LBS-FT)	PRODUCT WEIGHT (LBS)	
		MAX EXTENDED LENGTH (IN)	MIN COMPRESSED LENGTH (IN)	LENGTH @ RECOMMENDED INSTALLATION (IN)	BOOT DIAMETER (IN)	TUBE PRESS BUTT DIAMETER (IN)	TUBE PRESS DEPTH (IN)	BOOT OD (IN)	TOTAL RATED PLUNGE (IN)	@ MAX EXTENSION (IN)	@ MIN COMPRESSED (IN)	@ STATIC BOOT LENGTH (IN)			BOOT LENGTH @ REC'D INSTALL
N2-85-3130-ACF	2.5" - 19t	6.5	2.5	5.5	4.0	3.005	4.8	4.0	4.0	2.5	4.0	3.5	1.80	2500	4.8
N3-85-3530-ACF	2.5" - 19t	6.6	2.6	5.6	4.0	3.005	4.8	4.0	4.0	2.3	4.0	3.3	1.80	2500	4.9
N3-85-3535-ACF	3.0" - 23t	8.5	4.5	7.5	4.0	3.505	4.8	4.0	4.0	2.3	4.0	3.3	1.90	5000	6.1
N3-85-3535-ACF-HP	3.0" - 23t	8.5	4.7	-	4.0	3.505	4.8	-	4.0	2.3	4.0	-	-	5000	7.1
N3-85-3540-ACF	3.0" - 23t	8.5	4.5	7.5	4.4	4.005	4.8	4.0	4.0	2.3	4.0	3.3	1.90	5000	6.9
N3-85-4135-ACF	3.0" - 23t	8.7	4.7	7.7	4.9	3.505	4.8	4.0	4.0	3.9	4.0	4.0	1.90	5000	7.4
N3-85-4140-ACF	3.5" - 27t	11.3	5.8	10.3	5.0	4.005	4.8	5.0	5.5	2.4	4.0	3.4	2.80	7500	9.0
N3-85-4840-ACF	3.5" - 27t	11.3	5.8	10.3	5.0	4.005	4.8	5.0	5.5	2.4	4.0	3.4	2.80	7500	9.0
N3-85-4850-ACF	4.0" - 31t	11.3	5.8	10.3	5.9	5.005	4.8	5.9	5.5	2.4	4.0	3.4	2.80	12000	11.9
N4-85-5550-ACF	4.0" - 31t	11.7	6.2	10.7	5.9	5.005	4.8	5.9	5.5	2.0	4.0	3.0	2.80	12000	12.1

**Note: All kits contain (1) OE-grade boot\*, (2) OE-grade stainless clamps\*, & (1) 2oz tube of Neapco Performance Series PTFE Lubricant.**

\*Except HP kit with aluminum sleeve