



# ATTENTION: PLEASE READ

Date: October 1, 2024

Bulletin #: Bul-Prod-1024-044

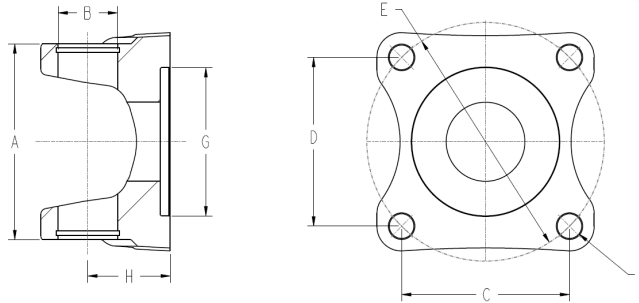
## Subject: **New Neapco Performance Series Aluminum 4-Bolt Flange Yokes for Demanding Ford Applications (Mustang, F-150, and Expedition)**

To: **All Neapco Drivelines Aftermarket Group Customers**

Neapco is pleased to announce our new Neapco Performance Series (NPS) Aluminum 1350 series 4-Bolt Flange Yokes. These two part numbers fit most Ford Mustang, F-150 and Expedition applications with the correct bolt circle and pilot.

**Neapco Performance Series (NPS) Aluminum 4-Bolt Flange Yokes are designed, engineered, and manufactured with high-quality materials, to provide the optimal strength and durable performance demanded by high HP/Torque applications.**

- Precision machined from a 7075-T6 Aluminum Forging.
  - Improved strength and fatigue life when compared to OE cast steel flange yokes.
  - Significant weight savings compared to steel flange yokes. (Up to 37%)
  - U.S.A. sourced raw material.
- Enhanced performance when paired with Neapco’s Performance Series U-Joints (Part# 2-0053P), which have been tested and proven to outperform the leading competitor in strength and fatigue.
- **Made in Beatrice, Nebraska, U.S.A.**



MATERIAL	DL SERIES	(G) PILOT DIAMETER	(E) BOLT CIRCLE	(C) LENGTH BETWEEN HOLES	(D) LENGTH BETWEEN HOLES	(F) HOLE / THREAD SIZE	(H) FLANGE FACE TO CL	NUMBER OF BOLT HOLES	JOINT ANGLE	PART NUMBER
<b>1350 SERIES A-3.898 B-1.188</b>										
7075-T6	1350	2.95 - F	4.75	3.359	3.359	0.49	1.65	4	20	A35-2-1859P
7075-T6	1350	2.00 - F	4.25	3.005	3.005	0.49	1.65	4	20	A35-2-1579P

To learn more about Neapco brand products please visit [www.NeapcoAftermarket.com](http://www.NeapcoAftermarket.com). Please contact your respective Neapco sales representative with any additional questions regarding this outstanding new product offering.

Danielle Forton  
Product Data Analyst/Tech Support Supervisor

