



ATTENTION: PLEASE READ

Date: October 10, 2024

Bulletin #: Bul-Prod-1024-046

Subject: **Neapco Part# N210661-1XSA Superseded to Neapco Rite-Align® Part# N10094142**

To: **All Neapco Drivelines Aftermarket Group Customers**

In July of this year, Neapco proudly introduced our new “patent-pending” Neapco **Rite-Align** center bearings for heavy-duty applications. See bulletin: Bul-Prod-0724-041.

Because we have tested and proven the superior performance of our new Rite-Align center bearing, we will be discontinuing our old self-aligning center bearing (part number N210661-1XSA). We will honor existing orders for the N210661-1XSA center bearing.

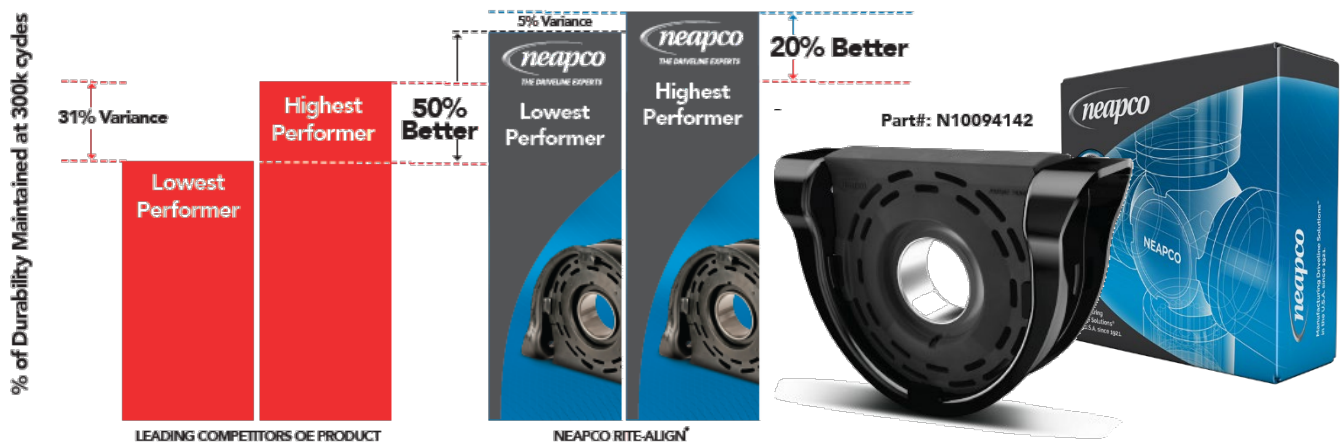
We will continue to ship until our current inventory is exhausted, at which time we will begin to supersede orders for the N210661-1XSA to our new Neapco Rite-Align center bearing (part number N10094142).

Below is additional information about the new Neapco Rite-Align center bearing:

Rite-Align® has been tested and proven to outperform the leading competitor’s OE product.

- Neapco’s Lowest Performer outperformed the competitor’s Highest Performer.
- There is a 20% difference (in Neapco’s favor) between the competitor’s Highest and Neapco’s Highest Performer.
- There is a 50% difference (in Neapco’s favor) between the competitor’s Lowest and Neapco’s Lowest Performer.
- Neapco’s performance was consistent. Only a 5% variance.
- Leading competitor’s performance was inconsistent. Results varied by 31%.

**Durability* and Consistency Variation (tested at 10° angle)
Neapco is not ONLY better, but CONSISTANTLY better!**



*Durability = a measurement (%) of material stiffness and stability maintained over time. Based on samples tested.

(continued)



Neapco - New England Auto Products Corporation U.S.A. since 1921.

NeapcoAftermarket.com

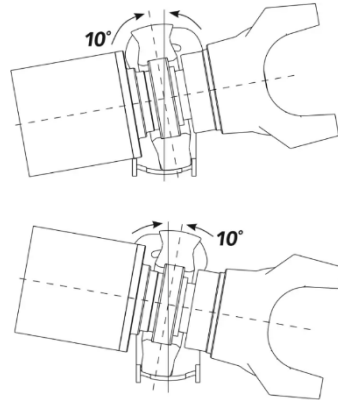
E-catalog and customer order portal: NeapcoParts.com

Important Bulletin from Neapco Drivelines Aftermarket Group

Why is Neapco's Performance Better?

Features, Advantages, and Benefits

- Allows for +/-10 degrees of angularity, to provide optimal alignment to the driveshaft. (See illustration below)



- Patent-pending design ensures cushion position stability at angles.
- Durometer and design of the cushion provide the durability needed to maintain the alignment, thus extending the life of the bearing and the driveshaft, respectively.
- Enhanced, newly formulated elastomers reduce NVH to provide smoother, quieter operation and owner satisfaction.
- Double-sealed bearing means double protection from environmental contaminants and helps to provide optimal performance and extended life of the bearing.
- Thicker steel bracket for better strength and durability.

This great new product is ready for immediate shipment, and pricing is available in your price file on NeapcoParts.com

Please reach out to your Neapco Sales representative with questions or visit www.NeapcoAftermarket.com or www.NeapcoParts.com. As always, we thank you for your business and appreciate your support of Neapco products.

Kindest regards,

Ron Draheim
Marketing/Pricing/Product Manager
Neapco Drivelines Aftermarket Group

